



Elbow Sanitizer Dispenser

Protecting health and making life better through well-being solutions, and drives innovation in hand hygiene.

The infection control benefits of frequently touched products and surfaces that incorporate antimicrobial copper are well-documented; one only needs to key in the words 'antimicrobial copper' to a web search engine to be presented with the results of numerous clinical studies which prove that those upgrading their facilities by installing products incorporating the material, are taking their infection control programmes very seriously indeed.

Model no.:	DM 100S / 500S / 900S
Material:	304 Stainless Steel
Capacity:	500 ml / 1000 ml
Function(optional):	Drop & Spray
Droplet(adjustable):	1.5 ml / 3.0 ml
Unit size:	17.0 * 10.5 * 30.0 cm
Unit weight:	1.12 kg
Package:	12 pcs in one carton
Carton size:	65 * 42 * 31 cm
Weight:	14.5 kg





**Lever diameter: 5mm, solid.
Material:304 stainless steel.**

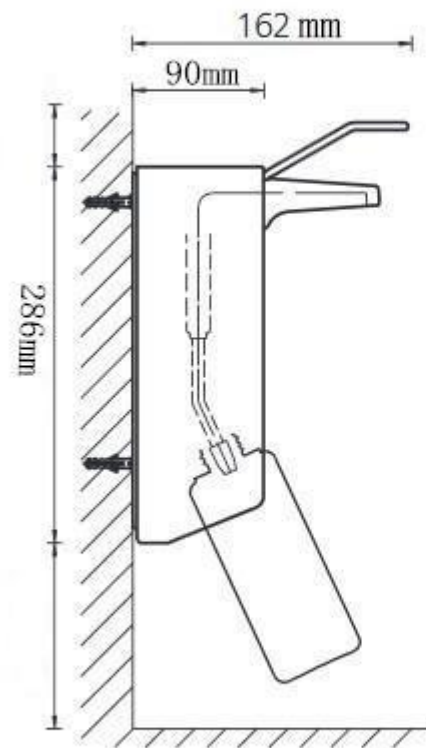
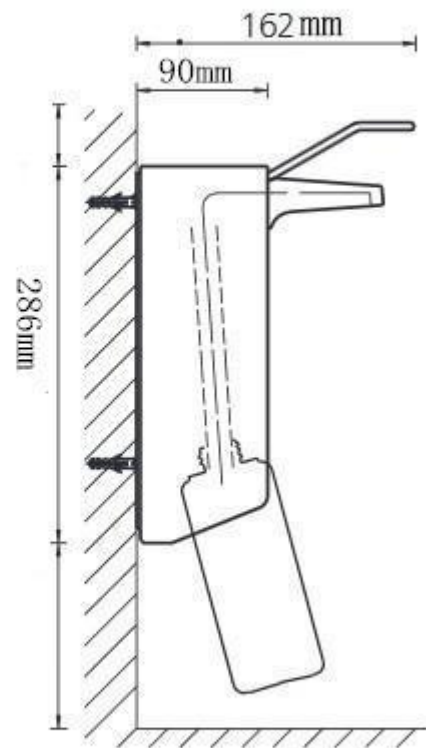


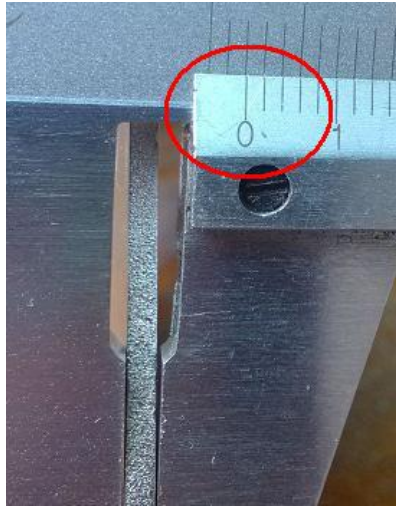
**Whole housing: made of 304 stainless steel.
Thickness: 1.20mm(customize for request).**



**Plastic exchangeable pump on drop & spray which are suitable for different chemical.
Adjustable dosages of approx. 0.75ml/ 1.0ml/ 1.2ml/ 1.5ml (dependant on the viscosity of the filling solution).**







The wall mount back board is made in 304 stainless steel, thickness at 2mm



The dispenser can be folded in small volume by flexible spindle



Strong lever with diameter 5mm, made by 304 stainless steel.



The claw fasten the top of the bottle & press it to let gel out